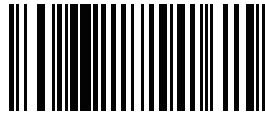


# BRIZO®

102229



X00102229

**TOWEL BARS**  
**BARRA PARA TOALLAS**  
**PORTE-SERVIETTES**

Models/Modelos/Modèles

8" - 694742▲

18" - 691842▲

24" - 692442▲

Series/Series/Seria

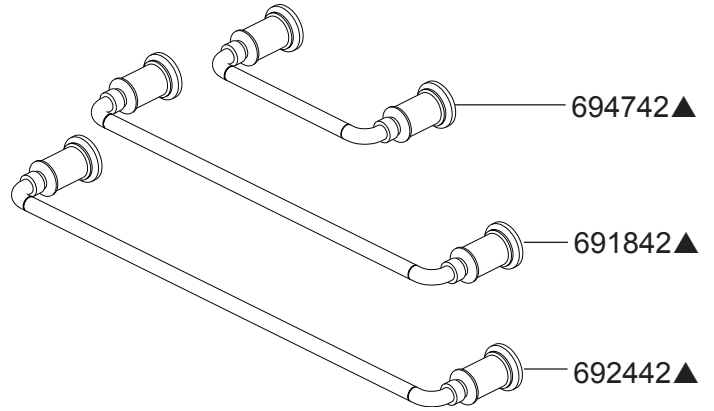
Date of Purchase: \_\_\_\_\_  
Fecha de compra \_\_\_\_\_  
Date d'achat \_\_\_\_\_

Register Online  
Regístrese en línea  
S'enregistrer en ligne  
[www.brizo.com/customer-support/product-registration](http://www.brizo.com/customer-support/product-registration)

To reference replacement parts and access additional technical documents and product info, visit [www.brizo.com](http://www.brizo.com)

Para referencia sobre las piezas de repuesto y acceder a documentos técnicos adicionales e información del producto, visite [www.brizo.com](http://www.brizo.com)

Pour obtenir la référence des pièces de rechange ainsi que pour avoir accès à d'autres documents techniques et renseignements sur le produit, allez à [www.brizo.com](http://www.brizo.com)



1-877-345-BRIZO (2749)  
[www.brizo.com/customer-support](http://www.brizo.com/customer-support)

Read all instructions prior to installation.

### ⚠ CAUTION

Failure to read these instructions prior to installation may result in personal injury, property damage, or product failure. Manufacturer assumes no responsibility for product failure due to improper installation.

Lea todas las instrucciones antes de hacer la instalación.

### ⚠ ADVERTENCIA

El no leer estas instrucciones de instalación puede resultar en lesiones personales, daños a la propiedad, o falla en el funcionamiento del producto. El fabricante no asume ninguna responsabilidad por la falla del producto debido a una instalación incorrecta.

Veillez lire toutes les instructions avant l'installation.

### ⚠ AVERTISSEMENT

L'omission de lire les présentes instructions avant l'installation peut entraîner des blessures, des dommages matériels ou le bris du produit. Le fabricant se dégage de toute responsabilité à l'égard d'un bris du produit causé par une mauvaise installation.

### ⚠ WARNING

This item not designed for use as a grab bar. Do not mount in locations where product is likely to be used as a grab bar. Use caution when drilling into walls to avoid drilling into electrical and plumbing lines hidden within wall.

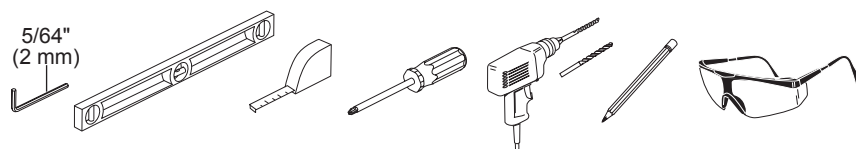
### ⚠ ADVERTENCIA

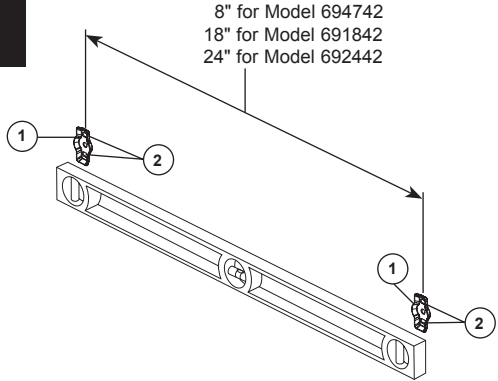
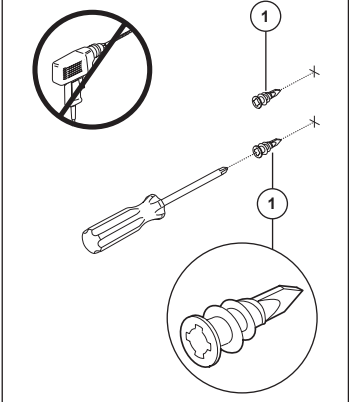
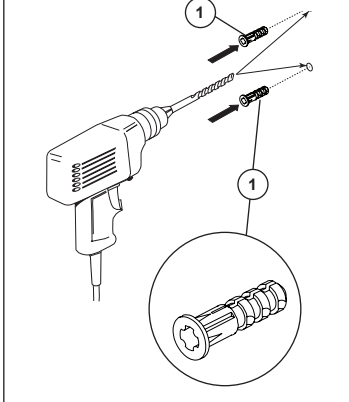
Este item não foi desenhado para ser utilizado como barra de elevações. Não monte em locais onde o produto possa ser utilizado como barra de elevações. Tenha cuidado quando perfurar em paredes de modo a evitar furar as linhas eléctricas e canalizações dentro das paredes.

### ⚠ MISE EN GARDE

Ce produit ne convient pas aux mains courantes. Ne pas installer là où le produit peut être utilisé comme une main courante. Lorsque vous percez des trous dans le mur, faites attention de ne pas entrer dans les fils et les tuyaux cachés dans le mur.

You may need:  
Usted puede necesitar:  
Articles dont vous pouvez avoir besoin :



<p><b>1</b></p>  <p>8" for Model 694742 18" for Model 691842 24" for Model 692442</p>	<p><b>2 For Drywall</b></p> 	<p><b>For Tile or Solid Walls</b></p> 
<p><b>NOTE: If possible, it is best to mount at least one end of your towel bar into a wall stud. Try to locate a wall stud with a stud finder or by tapping on the wall.</b> Place mounting bracket (1) in the desired location. Ensure the mounting bracket is level; then, mark the position of the holes (2) on the wall. Repeat for 2nd mounting bracket, spaced as noted above.</p>	<p>If you were able to locate a wall stud for one or both ends to mount your towel bar, drill 1/8" (3mm) holes and mount the mounting bracket with the two screws provided. (Skip to step 4 if both mounting studs were mounted into wall studs.)</p> <p><b>For drywall</b> - Use a Phillips screwdriver to insert the anchors (1). Push and turn the anchors in a clock-wise direction until flush with the wall surface. Do Not Drill.</p> <p><b>For tile or solid walls</b> - Try to locate the mounting hole locations on a grout line. If mounting into ceramic tile or solid surface, place masking tape on the mounting area before marking the location to prevent the drill bit from sliding. To drill through ceramic tile, obtain a 1/4" diameter carbide drill bit. Drill 1/4" diameter holes where indicated. Push in anchors (1) until flush with walls. <b>Note: Sheetrock or hollow doors may require molly or toggle bolts, which are included with this product.</b></p>	
<p><b>NOTA: Si es posible, es mejor que instale, aun que sea, un extremo de su toallero en un entramado o soporte de pared. Trate de ubicar un entramado con un detector de entramados o golpeando la pared.</b> Coloque el abrazadera de montaje (1) en el sitio deseado. Asegúrese que el abrazadera de montaje está nivelado; luego, marque la posición de los agujeros (2) en la pared. Repita con el segundo perno e instalación, separados como se indica arriba.</p>	<p>Si logró ubicar un entramado de pared para instalar uno ó ambos extremos de la toallera o barra para toallas, taladre agujeros de 1/8" (3mm) e instale el abrazadera de instalación con los dos tornillos incluidos. (Continúe con el paso 4 si ambos pernos de instalación se instalaron en los entramados.)</p> <p><b>Para muros en seco</b> - Use un destornillador Phillips para introducir los soportes (1). Empuje y gire los soportes en dirección de las manecillas del reloj hasta que queden al ras con la superficie de la pared. No taladre.</p> <p><b>Para losas y paredes sólidas</b> - Trate de ubicar los sitios para los agujeros de instalación/montaje en la línea del enluchado. Si va a instalar en losa de cerámica o una superficie sólida, coloque cinta adhesiva en el área donde va a hacer la instalación antes de marcar la ubicación para prevenir que la broca de la perforadora no se resbale. Para perforar en losa de cerámica, obtenga una broca de perforar con punta de carburo de 1/4". Perfore agujeros de 1/4" donde indicado. Presione las anclas (1) hacia adentro hasta que queden al ras con las paredes. <b>Nota: Cartón de yeso o puertas huecas podrán requerir sujetador o pernos de palanca, que se incluyen con este producto.</b></p>	
<p><b>REMARQUE: Dans la mesure du possible, il est préférable de fixer au moins une extrémité du porte-serviette dans un montant. Essayez de trouver un montant à l'aide d'un localisateur de montants ou en tapotant sur le mur.</b> Placez le support de montage (1) à l'endroit voulu. Assurez-vous qu'il est de niveau, puis marquez la position des trous (2) sur le mur. Répétez les étapes pour l'installation du 2e abrazadera de fixation en respectant l'espacement indiqué ci-dessus.</p>	<p>Si vous avez pu trouver un montant pour l'une ou les deux extrémités du porte-serviette, percez des trous de 1/8 po (3mm) et montez support de fixation à l'aide des deux vis non fournies. (Passez à l'étape 4, si les deux éléments de fixation sont ancrés dans des montants.)</p> <p><b>Dans le placoplâtre</b> - À l'aide d'un tournevis Phillips, introduisez les ancrages (1). Enfoncez les ancrages et tournez-les dans le sens horaire jusqu'à ce qu'ils se trouvent à égalité de la surface du mur. Ne faites pas de trous à la perceuse.</p> <p><b>Dans les carreaux ou les murs pleins</b> - Trouvez l'emplacement des trous de montage dans le coulis dans la mesure du possible. Si vous installez votre accessoire sur un carreau de céramique ou sur une surface dure, placez du ruban cache sur la zone où sera fixé l'accessoire avant de marquer l'emplacement des trous pour éviter que le foret ne glisse. Pour percer des trous dans un carreau de céramique, utilisez un foret au carbure de 1/4 po. Percez des trous de 1/4 po aux endroits indiqués. Insérez les ancrages de plastique (1) en poussant jusqu'à ce qu'ils soient bien appuyés contre le mur. <b>Note : Dans les cloisons en placoplâtre ou les portes creuses, il peut être nécessaire d'utiliser les boulons Molly ou les boulons à ailettes fournis avec ce produit.</b></p>	

## CLEANING AND CARE

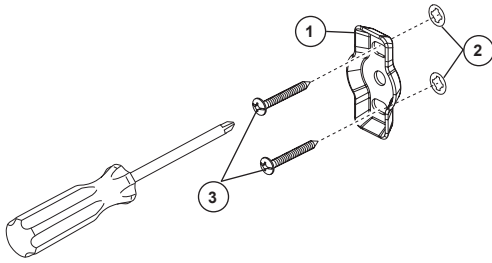
Care should be given to the cleaning of this product. Although its finish is extremely durable, it can be damaged by harsh abrasives or polish. To clean, simply wipe gently with a damp cloth and blot dry with a soft towel.

## LIMPIEZA Y CUIDADO DE SU LLAVE

Tenga cuidado al ir a limpiar este producto. Aunque su acabado es sumamente durable, puede ser afectado por agentes de limpieza o para pulir abrasivos. Para limpiar su llave, simplemente frótelas con un trapo húmedo y luego séquelas con una toalla suave.

## INSTRUCTIONS DE NETTOYAGE

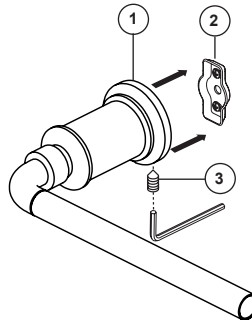
Il faut le nettoyer avec soin. Même si son fini est extrêmement durable, il peut être abîmé par des produits fortement abrasifs ou des produits de polissage. Il faut simplement le frotter doucement avec un chiffon humide et le sécher à l'aide d'un chiffon doux.

**3**

With the mounting bracket (1) oriented as shown, place it over the installed anchors (2) and screws (3). Repeat for second mounting bracket.

Con el abrazadera de fijación (1) orientado como se muestra, colóquelo sobre las anclas instaladas (2) y los tornillos (3). Repita el procedimiento para el segundo abrazadera de montaje.

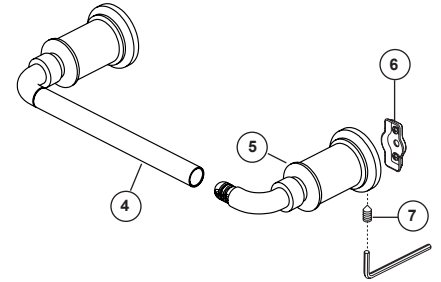
Orientez le support (1) comme le montre la figure et placez-le sur les ancrages installés (2) et montez les vis (3). Montez le deuxième support de la même manière.

**4**

Position body (1) over mounting bracket (2) and tighten set screw (3). (Set screw should be on the bottom of body.) Place one end of the towel bar (4) into the second body (5), and place the other end of the bar into the first body (1). Slide the second body over the other mounting bracket (6) and tighten set screw (7).

Coloque el cuerpo (1) en el abrazadera roscado (2) y apriete el tornillo de ajuste (3). (Un tornillo fijo debe estar en la parte inferior del cuerpo). Coloque un extremo de la barra para toallas (4) en el segundo cuerpo (5), y coloque el otro extremo de la barra en el primer cuerpo (1). Deslice el segundo cuerpo sobre el otro abrazadera de montaje (6) y apriete el tornillo (7).

Placez le corps (1) sur le support de montage (2) et serrez la vis de calage (3). (La vis de calage doit se trouver en dessous du corps.). Placez une extrémité du porte-serviette (4) dans le deuxième corps (5) et l'autre extrémité de celui-ci dans le premier corps (1). Glissez le deuxième corps sur l'autre support de montage (6) et serrez la vis de calage (7).



## Limited Warranty on Brizo® Faucets

**Parts and Finish:** All parts (other than electronic parts, air switch power modules, batteries, and parts not supplied by Brizo Kitchen and Bath Company) and finishes of Brizo® faucets purchased from authorized Brizo sellers are warranted to the original consumer purchaser to be free from defects in material and workmanship for as long as the original consumer purchaser owns the home in which the faucet was first installed. For commercial purchasers, (a) the warranty period is ten (10) years for multi-family residential applications and (b) five (5) years for all other commercial uses, in each case from the date that the product is received by the original purchaser or their authorized representative (installation contractor, etc.). For purposes of this warranty, the term "multi-family residential application" refers to the purchase of the faucet from an authorized Brizo seller by a purchaser who owns but does not live in the residential dwelling in which the faucet is initially installed, such as in a rented or leased single unit or multi-unit detached home (duplex or townhome), or a condominium, apartment building or community living center. The following installations are not considered multi-family residential applications, are excluded from the 10-year warranty, and are subject to the 5-year warranty: industrial, institutional or other business premises, such as a dormitory, hospitality premises (hotel, motel, or extended stay location), airport, educational facility, long- or short-term healthcare facility (hospital, rehabilitation center, nursing, assisted or staged-care living unit), public space or common area.

**Electronic Parts and Batteries (if applicable):** Electronic parts (other than air switch power modules and batteries), if any, in Brizo® faucets purchased from authorized Brizo sellers are warranted to the original consumer purchaser to be free from defects in material and workmanship for five (5) years from the date that the product is received by the original consumer purchaser or their authorized representative (installation contractor, etc.) or, for commercial users, for one (1) year from the date that the product is received by the original commercial purchaser or their authorized representative (installation contractor, etc.). No warranty is provided on batteries.

**Air Switch Power Module:** The electronic power module of Brizo® air switches purchased from authorized Brizo sellers is warranted to the original consumer purchaser to be free from defects in material and workmanship for two (2) years from the date that the product is received by the original consumer purchaser or their authorized representative (installation contractor, etc.) or, for commercial users, for one (1) year from the date that the product is received by the original commercial purchaser or their authorized representative (installation contractor, etc.).

**What We Will Do:** Brizo Kitchen & Bath Company will repair or replace, free of charge, during the applicable warranty period (as described above), any part or finish that proves defective in material and/or workmanship under normal installation, use, and service. Brizo Kitchen & Bath Company may, in its sole discretion, use new, refurbished or recertified parts or products for such repair or replacement. If repair or replacement is not practical, Brizo Kitchen & Bath Company may elect to refund the purchase price in exchange for the return of the product. **These are your exclusive remedies.**

**What Is Not Covered:** Because Brizo Kitchen and Bath Company is unable to control the quality of Brizo products sold by unauthorized sellers, unless otherwise prohibited by law, this warranty does not cover Brizo products purchased from unauthorized sellers (visit [Brizo.com](http://Brizo.com) to see a list of our Authorized Online Resellers).

Any labor charges incurred by the purchaser to repair, replace, install or remove this product are not covered by this warranty. Brizo Kitchen & Bath Company shall not be liable for any damage to the product resulting from reasonable wear and tear, outdoor use, misuse (including use of the product for an unintended application), freezing water, abuse, neglect, or improper or incorrectly performed assembly, installation, maintenance or repair, including failure to follow the applicable care and cleaning instructions. Customized components purchased by the consumer or commercial user and installed into a Brizo product, and any damage resulting from removal or improper installation of such components, are not covered by this warranty.

Brizo Kitchen & Bath Company recommends using a professional plumber for all installation and repair of faucets. We also recommend that you use only genuine Brizo® replacement parts.

**What You Must Do To Obtain Warranty Service or Replacement Parts:** A warranty claim may be made, and replacement parts may be obtained by calling 1-877-345-BRIZO (2749) or by contacting us by mail or online as follows (please include your model number, date of purchase and documentation of the date of receipt of the product by the original purchaser or their authorized representative (installation contractor, etc.):

**In the United States and Mexico:**

Brizo Kitchen & Bath Company  
55 E. 111th Street  
Indianapolis, IN 46280  
Attention: Warranty Service  
<https://www.brizo.com/customer-support/contact-us>

**In Canada:**

Masco Canada Limited, Plumbing Group  
Technical Service Centre  
350 South Edgeware Road  
St. Thomas, Ontario, Canada N5P 4L1  
<https://www.brizo.com/customer-support/contact-us>

Proof of purchase (original sales receipt showing purchase date) and documentation of the date of receipt of the product by the original purchaser or their authorized representative (installation contractor, etc.) must be made available to Brizo Kitchen & Bath Company for all warranty claims unless the purchaser has registered the product with Brizo Kitchen & Bath Company. This warranty applies only to Brizo® faucets installed in the United States of America, Canada, and Mexico.

**Limitation on Duration of Implied Warranties:** Please note that some states/provinces (including Quebec) do not allow limitations on how long an implied warranty lasts, so the below limitations may not apply to you. TO THE MAXIMUM EXTENT PERMITTED BY APPLICABLE LAW, ANY IMPLIED WARRANTY, INCLUDING THE IMPLIED WARRANTIES OF MERCHANTABILITY AND OF FITNESS FOR A PARTICULAR PURPOSE, IS LIMITED TO THE STATUTORY PERIOD OR THE DURATION OF THIS WARRANTY, WHICHEVER IS SHORTER.

**Limitation of Special, Incidental or Consequential Damages:** Please note that some states/provinces (including Quebec) do not allow the exclusion or limitation of special, incidental, or consequential damages, so the below limitations and exclusions may not apply to you. TO THE MAXIMUM EXTENT PERMITTED BY APPLICABLE LAW, THIS WARRANTY DOES NOT COVER, AND BRIZO KITCHEN & BATH COMPANY SHALL NOT BE LIABLE FOR ANY SPECIAL, INCIDENTAL, OR CONSEQUENTIAL DAMAGES (INCLUDING LABOR CHARGES TO REPAIR, REPLACE, INSTALL OR REMOVE THIS PRODUCT), WHETHER ARISING OUT OF BREACH OF ANY EXPRESS OR IMPLIED WARRANTY, BREACH OF CONTRACT, TORT, OR OTHERWISE. BRIZO KITCHEN & BATH COMPANY SHALL NOT BE LIABLE FOR ANY DAMAGE TO THE FAUCET RESULTING FROM REASONABLE WEAR AND TEAR, OUTDOOR USE, MISUSE (INCLUDING USE OF THE PRODUCT FOR AN UNINTENDED APPLICATION, FREEZING WATER, ABUSE, NEGLIGENCE OR IMPROPER OR INCORRECTLY PERFORMED ASSEMBLY, INSTALLATION, MAINTENANCE OR REPAIR, INCLUDING FAILURE TO FOLLOW THE APPLICABLE INSTALLATION, CARE AND CLEANING INSTRUCTIONS. Notice to residents of the State of New Jersey: The provisions of this warranty, including its limitations, are intended to apply to the fullest extent permitted by the laws of the State of New Jersey.

**Additional Rights:** This warranty gives you specific legal rights, and you may also have other rights which vary from state/province to state/province. This is Brizo Kitchen & Bath Company's exclusive written warranty, and the warranty is not transferable.

If you have any questions or concerns regarding our warranty, please contact us as provided above or visit our website at [www.brizo.com](http://www.brizo.com).

© 2023 Masco Corporation of Indiana

## Garantía limitada de las llaves de agua/grifos Brizo®

**Piezas y Acabado:** Todas las piezas (excepto las piezas electrónicas, los módulos de suministro de electricidad al interruptor de aire, las pilas y las piezas no suministradas por Brizo Kitchen and Bath Company) y los acabados de las llaves de agua Brizo® comprados a vendedores autorizados de Brizo están garantizados al comprador consumidor original estar libres de defectos en materiales y mano de obra durante el tiempo que el comprador consumidor original sea propietario de la casa en la que se instaló la llave de agua por primera vez. Para compradores comerciales, (a) el período de garantía es de diez (10) años para aplicaciones residenciales multifamiliares y (b) cinco (5) años para todos los demás usos comerciales, en cada caso a partir de la fecha en que el comprador original o su representante autorizado (contratista de instalación, etc.) recibió el producto. Para los fines de esta garantía, el término "aplicación residencial multifamiliar" se refiere a la compra de la llave de agua a un vendedor autorizado de Brizo por parte de un comprador que es propietario pero no vive en la vivienda residencial en la que se instaló inicialmente la llave de agua o, como por ejemplo en una unidad individual alquilada o en una casa independiente de unidades múltiples (dúplex o casa adosada), o en un condominio, edificio de apartamentos o centro de vida comunitario. Las siguientes instalaciones no se consideran aplicaciones residenciales multifamiliares, están excluidas de la garantía de 10 años y están sujetas a la garantía de 5 años: locales industriales, institucionales u otros locales comerciales, como dormitorios, locales de hospitalidad (hotel, motel, o lugar de estadía prolongada), aeropuerto, centro educativo, centro de atención médica a corto o largo plazo (hospital, centro de rehabilitación, enfermería, unidad de vivienda de atención asistida o por etapas), espacio público o área común.

**Piezas electrónicas y pilas (si corresponde):** Las piezas electrónicas (que no sean módulos de suministro de electricidad al interruptor de aire y pilas), si las hubiera, en las llaves de agua Brizo® compradas a vendedores autorizados de Brizo están garantizadas al comprador consumidor original estar libres de defectos de material y de mano de obra durante cinco (5) años a partir de la fecha cuando el comprador consumidor original o su representante autorizado (contratista de instalación, etc.) recibió el producto o, para usuarios comerciales, durante un (1) año a partir de la fecha en que el comprador comercial original o su representante autorizado recibió el producto (contratista de instalación, etc.). No se proporciona garantía en las pilas.

**Módulo de suministro de electricidad al interruptor de aire:** Se garantiza al comprador consumidor original que el módulo de suministro de electricidad a los interruptores de aire Brizo® comprados a vendedores autorizados de Brizo estará libre de defectos de material y mano de obra durante dos (2) años a partir de la fecha en que el comprador consumidor original o su representante autorizado (contratista de instalación, etc.) recibió el producto o, para usuarios comerciales, durante un (1) año a partir de la fecha en que el comprador comercial original o su representante autorizado (contratista de instalación, etc.) recibió el producto.

**Lo que haremos:** Brizo Kitchen & Bath Company reparará o reemplazará, sin cargo, durante el período de garantía aplicable (como se describe anteriormente), cualquier pieza o acabado que resulte defectuoso en material y/o mano de obra en condiciones normales de instalación, uso y servicio. Brizo Kitchen & Bath Company puede, a su exclusivo criterio, utilizar piezas o productos nuevos, reacondicionados o recertificados para dicha reparación o reemplazo. Si la reparación o el reemplazo no es práctico, Brizo Kitchen & Bath Company puede optar por reembolsar el precio de compra a cambio de la devolución del producto. **Estos son tus remedios exclusivos.**

**Lo que no está cubierto:** Debido a que Brizo Kitchen and Bath Company no puede controlar la calidad de los productos Brizo vendidos por vendedores no autorizados, a menos que la ley lo prohíba, esta garantía no cubre los productos Brizo comprados a vendedores no autorizados (visite [Brizo.com](http://Brizo.com) para ver una lista de nuestros revendedores autorizados en línea).

Cualquier cargo por mano de obra incurrido por el comprador para reparar, reemplazar, instalar o quitar este producto no está cubierto por esta garantía. Brizo Kitchen & Bath Company no será responsable de ningún daño al producto que resulte del desgaste razonable, uso en exteriores, mal uso (incluido el uso del producto para una aplicación no prevista), agua helada, abuso, negligencia o ensamblaje inadecuado o incorrecto, instalación, mantenimiento o reparación, incluido el incumplimiento de las instrucciones de cuidado y limpieza aplicables. Los componentes personalizados adquiridos por el consumidor o usuario comercial e instalados en un producto Brizo, y cualquier daño resultante de la extracción o instalación incorrecta de dichos componentes, no están cubiertos por esta garantía.

Brizo Kitchen & Bath Company recomienda utilizar un plomero profesional para toda la instalación y reparación de las llaves de agua. También le recomendamos que utilice únicamente piezas de repuesto originales Brizo®.

**Qué debe hacer para obtener servicio de garantía o piezas de repuesto:** Se puede realizar un reclamo de garantía y obtener piezas de repuesto llamando al 1-877-345-BRIZO (2749) o comunicándose con nosotros por correo o en línea de la siguiente manera (incluya su número de modelo, fecha de compra y documentación con la fecha cuando el comprador original o su representante autorizado (contratista de instalación, etc.) recibió el producto):

### En los Estados Unidos y México:

Brizo Kitchen & Bath Company  
55 E. 111th Street  
Indianapolis, IN 46280  
Attention: Warranty Service  
<https://www.brizo.com/customer-support/contact-us>

### En Canadá:

Masco Canada Limited, Plumbing Group  
Technical Service Centre  
350 South Edgeware Road  
St. Thomas, Ontario, Canada N5P 4L1  
<https://www.brizo.com/customer-support/contact-us>

El comprobante de compra (recibo de compra original que muestre la fecha de compra) y la documentación con la fecha cuando el comprador original o su representante autorizado (contratista de instalación, etc.) recibió el producto deben estar disponibles para Brizo Kitchen & Bath Company para todos los reclamos de garantía a menos que el comprador haya registrado el producto con Brizo Kitchen & Bath Company. Esta garantía se aplica únicamente a las llaves de agua Brizo® instaladas en los Estados Unidos de América, Canadá y México.

**Limitación de la duración de las garantías implícitas:** Tenga en cuenta que algunos estados/provincias (incluido Quebec) no permiten limitaciones sobre la duración de una garantía implícita, por lo que es posible que las siguientes limitaciones no se apliquen a usted. EN LA MEDIDA MÁXIMA PERMITIDA POR LA LEY APLICABLE, CUALQUIER GARANTÍA IMPLÍCITA, INCLUYENDO LAS GARANTÍAS IMPLÍCITAS DE COMERCIABILIDAD Y DE IDONEIDAD PARA UN PROPÓSITO PARTICULAR, SE LIMITA AL PERÍODO LEGAL O A LA DURACIÓN DE ESTA GARANTÍA, EL QUE SEA MÁS CORTO.

**Limitación de daños especiales, incidentales o consecuentes:** Tenga en cuenta que algunos estados/provincias (incluido Quebec) no permiten la exclusión o limitación de daños especiales, incidentales o consecuentes, por lo que es posible que las siguientes limitaciones y exclusiones no se apliquen a usted. EN LA MEDIDA MÁXIMA PERMITIDA POR LA LEY APLICABLE, ESTA GARANTÍA NO CUBRE, Y BRIZO KITCHEN & BATH COMPANY NO SERÁ RESPONSABLE DE NINGÚN DAÑO ESPECIAL, INCIDENTAL O CONSECUENTE (INCLUYENDO CARGOS DE MANO DE OBRA PARA REPARAR, REEMPLAZAR, INSTALAR O QUITAR ESTE PRODUCTO), YA SEA POR INCUMPLIMIENTO DE CUALQUIER GARANTÍA EXPRESA O IMPLÍCITA, INCUMPLIMIENTO DE CONTRATO, AGRAVIO O DE OTRA MANERA. BRIZO KITCHEN & BATH COMPANY NO SERÁ RESPONSABLE DE NINGÚN DAÑO AL GRIFO QUE RESULTE DEL DESGASTE RAZONABLE, USO EN EXTERIORES, MAL USO (INCLUYENDO EL USO DEL PRODUCTO PARA UNA APLICACIÓN NO PREVISTA, AGUA CONGELADA, ABUSO, NEGLIGENCIA O MONTAJE REALIZADO INCORRECTAMENTE O INCORRECTAMENTE, INSTALACIÓN, MANTENIMIENTO O REPARACIÓN, INCLUYENDO EL INCUMPLIMIENTO DE LAS INSTRUCCIONES CORRESPONDIENTES DE INSTALACIÓN, CUIDADO Y LIMPIEZA. Aviso a los residentes del estado de Nueva Jersey: Las disposiciones de esta garantía, incluidas sus limitaciones, están destinadas a aplicarse en la máxima medida permitida por el leyes del Estado de Nueva Jersey.

**Derechos adicionales:** Esta garantía le otorga derechos legales específicos, y es posible que también tenga otros derechos que varían de un estado/provincia a otro estado/provincia. Esta es la garantía escrita exclusiva de Brizo Kitchen & Bath Company y la garantía no es transferible.

Si tiene alguna pregunta o inquietud con respecto a nuestra garantía, comuníquese con nosotros como se indicó anteriormente o visite en nuestro sitio web Preguntas Frecuentes FAQ en [www.brizo.com](http://www.brizo.com)

## Garantie limitée des robinets Brizo®

**Pièces et finis:** Tous les pièces (autres que les composants électroniques, les modules d'alimentation d'interrupteur pneumatique, les piles et les pièces non fournies par Brizo Kitchen and Bath Company) et les finis des robinets Brizo® achetés auprès de vendeurs Brizo autorisés sont protégés contre les défauts du matériau et les vices de fabrication par une garantie qui est consentie au premier acheteur au détail et qui demeure valide tant que celui-ci demeure propriétaire de la maison dans laquelle le robinet a été installé pour la première fois. En ce qui concerne les acheteurs commerciaux, la période de garantie est a) de dix (10) ans pour les applications résidentielles multifamiliales et b) de cinq (5) ans pour toutes les autres applications commerciales, à compter de la date, dans chaque cas, de réception du produit par le premier acheteur ou son représentant autorisé (installateur, etc.). Dans le libellé de la présente garantie, on entend par « application résidentielle multifamiliale », un robinet acheté chez un vendeur Brizo autorisé par un acheteur qui est propriétaire d'un logement résidentiel sans l'habiter et installé la première fois dans cet immeuble. Il peut s'agir d'un immeuble individuel comportant un ou plus d'un logement loué (duplex ou groupe de maisons en rangée), d'un condominium, d'un immeuble d'habitation ou d'un centre d'intégration communautaire. Les applications décrites ci-après ne sont pas considérées comme étant des applications résidentielles multifamiliales et elles sont couvertes par la garantie de cinq (5) ans plutôt que par la garantie de dix (10) ans. Ce sont les suivantes : robinets installés dans un bâtiment industriel, un bâtiment institutionnel et un autre immeuble commercial, notamment une résidence d'étudiants, un lieu d'hébergement (hôtel, motel ou lieu de séjour prolongé), un aéroport, un établissement d'enseignement, un établissement de soins de santé de courte ou de longue durée (hôpital, centre de réadaptation, maison de soins infirmiers, résidence pour personnes âgées), un endroit public ou un lieu commun.

**Composants électroniques et piles (le cas échéant):** Les composants électroniques (autres que les modules d'alimentation d'interrupteur pneumatique et les piles) des robinets Brizo® achetés auprès de vendeurs Brizo autorisés sont protégés contre les défauts du matériau et les vices de fabrication par une garantie consentie au premier acheteur au détail qui est de cinq (5) ans à compter de la date de réception du produit par le premier acheteur au détail ou son représentant autorisé (installateur, etc.). En ce qui concerne les acheteurs commerciaux, la période de garantie est d'un (1) an à compter de la date de réception du produit par le premier acheteur commercial ou son représentant autorisé (installateur, etc.). Les piles ne sont pas couvertes par la garantie.

**Module d'alimentation d'interrupteur pneumatique:** Le module d'alimentation électronique des interrupteurs pneumatiques Brizo® acheté auprès de vendeurs Brizo autorisés est protégé contre les défauts de matériau et les vices de fabrication par une garantie consentie au premier acheteur au détail qui est d'une durée de deux (2) ans à compter de la date de réception du produit par le premier acheteur au détail ou son représentant autorisé (installateur, etc.). En ce qui concerne les acheteurs commerciaux, la garantie est d'une durée d'un (1) an à compter de la date de réception du produit par le premier acheteur commercial ou son représentant autorisé (installateur, etc.).

**Ce que nous ferons:** Brizo Kitchen and Bath Company réparera ou remplacera gratuitement, pendant la période de garantie applicable (décrite ci-dessus), toute pièce ou tout fini qui présentera une déficience de matériau et/ou un vice de fabrication pour autant que le produit ait été installé, utilisé et entretenu normalement. Brizo Kitchen & Bath Company pourra, à son entière discrétion, utiliser des pièces ou des produits neufs, remis en état ou recertifiés pour effectuer la réparation ou le remplacement. S'il n'est pas utile de réparer ou de remplacer le produit, Brizo Kitchen & Bath Company pourra rembourser le prix d'achat en échange du produit retourné. **Il s'agit de vos seuls recours.**

**Ce qui n'est pas couvert:** Brizo Kitchen and Bath Company ne peut contrôler la qualité des produits Brizo vendus par des vendeurs non autorisés. Par conséquent, la présente garantie ne couvre pas les produits achetés auprès de vendeurs non autorisés, à moins que la loi n'interdise une telle limitation de la garantie (allez à Brizo.com pour obtenir la liste de nos revendeurs en ligne autorisés). La présente garantie ne couvre pas les frais de main-d'œuvre encourus par l'acheteur pour la réparation, le remplacement, l'installation ou la dépose du produit. Brizo Kitchen & Bath Company se dégage de toute responsabilité à l'égard de toute détérioration du produit résultant d'une usure raisonnable et des dommages causés par une utilisation à l'extérieur, un mauvais usage (y compris l'utilisation du produit à des fins autres que celles auxquelles il est destiné), le gel de l'eau, un usage abusif, la négligence ou l'utilisation d'une méthode d'assemblage, d'installation, de maintenance ou de réparation incorrecte ou inadéquate, y compris les dommages résultant du non-respect des instructions de nettoyage et d'entretien applicables. La présente garantie ne couvre pas non plus les composants non authentiques achetés par le consommateur ou un utilisateur commercial et installés dans un produit Brizo ainsi que tous les dommages résultant de la dépose ou d'une mauvaise installation desdits composants. Brizo Kitchen and Bath Company vous recommande de confier tous les travaux d'installation et de réparation à un plombier professionnel. Nous vous recommandons également d'utiliser uniquement des pièces de rechange Brizo® authentiques.

**Ce que vous devez faire pour vous prévaloir de la garantie ou obtenir des pièces de rechange:** Vous pouvez présenter une réclamation en vertu de la garantie et obtenir des pièces de rechange en appelant au 1-877-345-BRIZO (2749) ou en communiquant avec nous à l'une des adresses postales ou des adresses de courriel indiquées ci-dessous (veuillez fournir le numéro de modèle, la date d'achat et la documentation attestant la date de réception du produit par le premier acheteur ou son représentant autorisé (installateur, etc.)).

**Aux États-Unis et au Mexique**  
Brizo Kitchen and Bath Company  
55 E. 111th Street  
Indianapolis, IN 46280  
Attention: Warranty Service  
<https://www.brizo.com/customer-support/contact-us>

**Au Canada:**  
Masco Canada Limited, Groupe plomberie  
Centre de services techniques  
350, chemin South Edgeware  
St. Thomas (Ontario) Canada N5P 4L1  
<https://www.brizo.com/customer-support/contact-us>

La preuve d'achat (original du reçu montrant la date d'achat) et la documentation attestant la date de réception du produit par le premier acheteur ou son représentant autorisé (installateur, etc.) doivent être présentées à Brizo Kitchen & Bath Company pour toutes les réclamations en vertu de la garantie, sauf si le produit a été enregistré auprès de Brizo Kitchen & Bath Company. La présente garantie s'applique uniquement aux robinets Brizo® installés aux États-Unis d'Amérique, au Canada et au Mexique.

**Limitation de la durée des garanties implicites:** Veuillez noter qu'il est interdit, dans certains États ou certaines provinces (y compris le Québec), de limiter la durée d'une garantie implicite. Par conséquent, les limitations mentionnées ci-dessous peuvent ne pas s'appliquer à vous. Par conséquent, les limites mentionnées ci-dessous peuvent ne pas s'appliquer à vous. **DANS LA MESURE DE CE QUI EST PERMIS PAR LA LOI APPLICABLE, TOUTES LES GARANTIES IMPLICITES, Y COMPRIS LES GARANTIES IMPLICITES DE QUALITÉ MARCHANDE ET D'ADÉQUATION À UN USAGE PARTICULIER, SE LIMITENT À LA PÉRIODE FIXÉE PAR LA LOI OU À LA DURÉE DE LA PRÉSENTE GARANTIE, LA PLUS COURTE DES DEUX PÉRIODES S'APPLIQUANT.**

**Limitation des dommages particuliers, consécutifs ou indirects:** Veuillez noter qu'il est interdit dans certains États ou certaines provinces (y compris le Québec) d'exclure ou de limiter les dommages particuliers, consécutifs ou indirects. Par conséquent, les exclusions et les limitations mentionnées ci-dessous peuvent ne pas s'appliquer à vous. **DANS LA MESURE DE CE QUI EST PERMIS PAR LA LOI APPLICABLE, BRIZO KITCHEN & BATH COMPANY SE DÉGAGE DE TOUTE RESPONSABILITÉ À L'ÉGARD DES DOMMAGES PARTICULIERS, CONSÉCUTIFS OU INDIRECTS (Y COMPRIS LES FRAIS DE MAIN-D'ŒUVRE POUR LA RÉPARATION, LE REMPLACEMENT, L'INSTALLATION OU LA DÉPOSE DU PRODUIT), PEU IMPORTE QU'ILS DÉCOULENT D'UNE RUPTURE D'UNE GARANTIE IMPLICITE OU EXPLICITE, D'UNE RUPTURE DE CONTRAT, D'UN DÉLIT CIVIL OU D'UNE AUTRE CAUSE. BRIZO KITCHEN & BATH COMPANY SE DÉGAGE DE TOUTE RESPONSABILITÉ À L'ÉGARD DE TOUTE DÉTÉRIORATION DU ROBINET RÉSULTANT D'UNE USURE RAISONNABLE ET DES DOMMAGES CAUSÉS PAR UNE UTILISATION À L'EXTÉRIEUR, UN MAUVAIS USAGE (Y COMPRIS L'UTILISATION DU PRODUIT À DES FINS AUTRES QUE CELLES AUXQUELLES IL EST DESTINÉ), LE GEL DE L'EAU, UN USAGE ABUSIF, LA NÉGLIGENCE OU L'UTILISATION D'UNE MÉTHODE D'ASSEMBLAGE, D'INSTALLATION, DE MAINTENANCE OU DE RÉPARATION INCORRECTE OU INADÉQUATE, Y COMPRIS LES DOMMAGES RÉSULTANT DU NON-RESPECT DES INSTRUCTIONS D'INSTALLATION, DE NETTOYAGE ET D'ENTRETIEN APPLICABLES, ET CES DOMMAGES NE SONT PAS COUVERTS PAR LA GARANTIE. Avis à l'intention des résidents de l'État du New Jersey : Les dispositions de la présente garantie, y compris ses limites, s'appliquent dans toute la mesure permise par les lois de l'État du New Jersey.**

**Droits supplémentaires:** La présente garantie vous procure des droits particuliers reconnus par la loi. Vous pouvez aussi avoir d'autres droits qui varient selon l'État ou la province. La présente garantie écrite est la seule garantie offerte par Brizo Kitchen & Bath Company et elle n'est pas transférable.

Si vous avez des questions ou des préoccupations concernant notre garantie, veuillez communiquer avec nous de la manière indiquée ci-dessus ou visiter notre site Web à l'adresse [www.brizo.com](http://www.brizo.com).

© 2023 Masco Société de l'Indiana